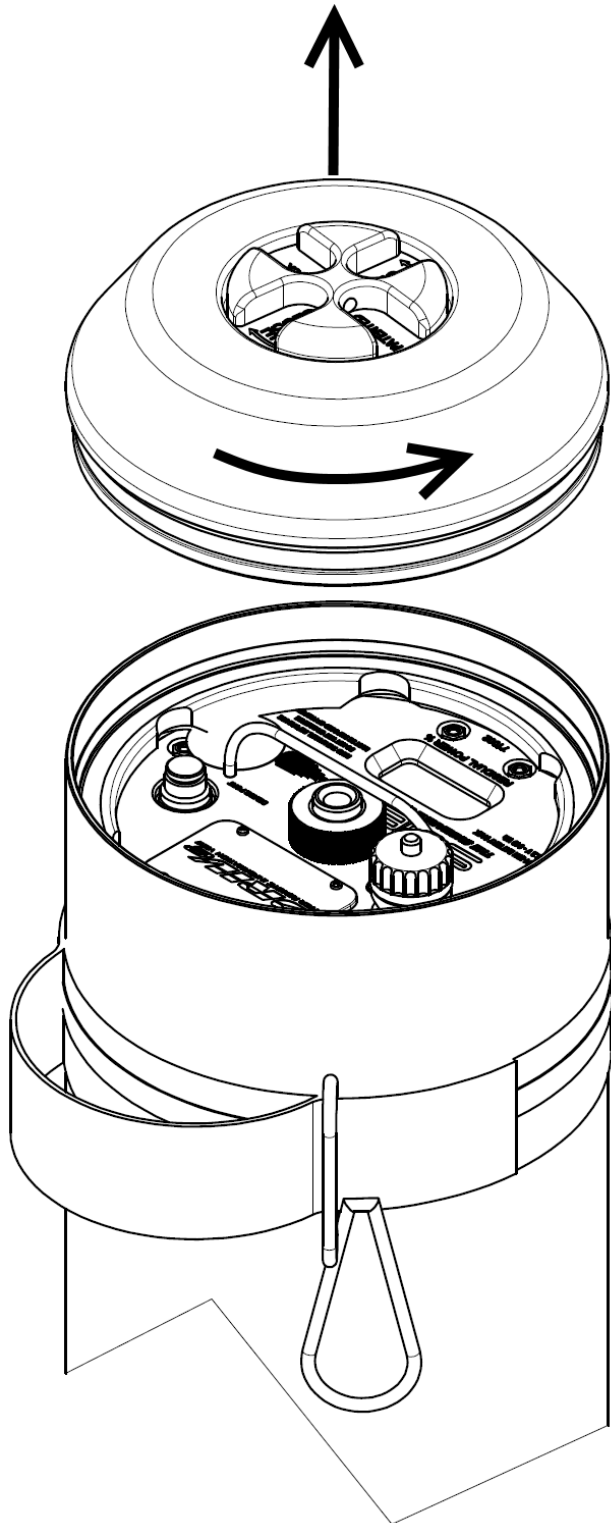
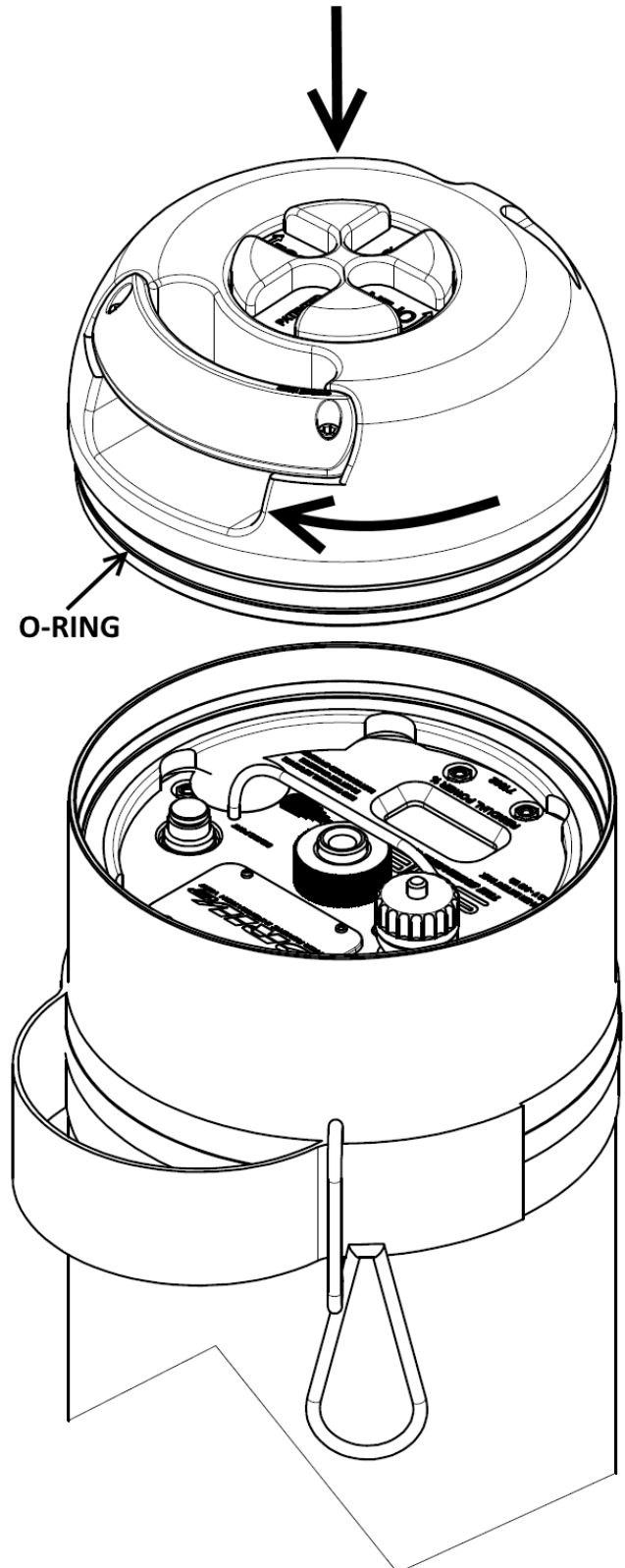


71195 - COMPLETE NOSECONE XJ 14-37 WITH TOW ATTACHMENT

1) REMOVE NOSECONE



1) REPLACE WITH 71195



- CLEAN AND LUBRICATE O-RING WITH VALELINE (see INSTRUCTION MANUAL).
- NO OTHER TRIM / BUOYANCY ADJUSTMENTS REQUIRED